

AR-RAY DESIGN AND SPECIFICATION DOCUMENT



Table of contents

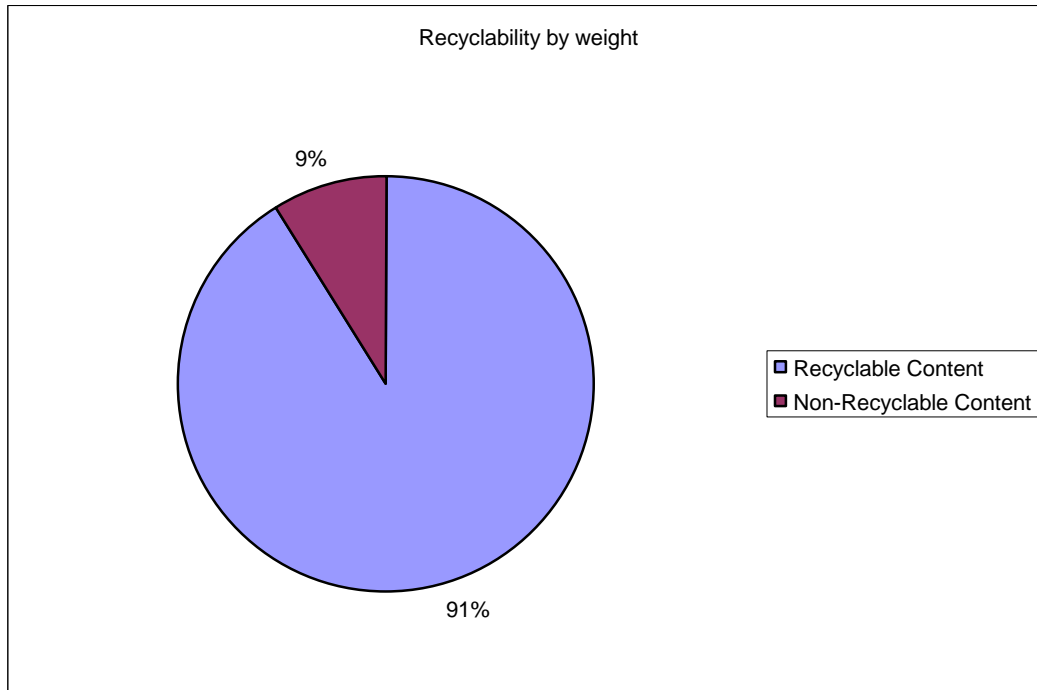
Environmental Summary	3
Ar-ray vs Apollo	4
Assembly Instructions	5
Brochure.....	9
Specification sheet	17
Helpful Links	27



Environmental Summary

[Back to contents](#)

This is an environmental summary for a single Ar-ray monitor arm. Part No: AR-3.1A2D



Reinforced Engineered Polymer (REP): The majority of the non-recyclable material is reinforced engineered polymers. REP has several economic and environmental benefits over the recyclable steel and aluminium components:

- **Energy:** The energy cost of producing the REP parts is less than that for the metal parts.
- **Economic transport:** REP parts are lighter than metal parts so will reduce the cost of shipping and the energy required to do so.
- **Carbon foot print:** The transport and energy savings directly correspond to a reduction in the carbon footprint of the parts.

The “Reinforced” part of REP:

One of the main disadvantages of general plastics over other materials such as aluminium or steel is the weaker overall strength that the parts have. Reinforcing the material during the manufacturing phase can significantly reduce this weakness. The REP in Ar-ray is reinforced with a glass fibre, these fibres are able to be aligned in a desired orientation during manufacturing. This allowed the parts to be strongest where they take the most load, which in turn minimises the amount of reinforcement that is required.

Greenstar:

The Ar-ray monitor arm meets or exceeds green-star compliance.

Ar-ray vs Apollo

[Back to contents](#)



	Ar-ray	Apollo System
Number of monitors on one assembly		
1	✓	✓
2	✓	✓
3	x	✓
4	x	✓
5	x	✓
6	x	✓
Laptop options		
Laptop arm + 1 monitor	✓	✓
Laptop arm + 2 monitors	x	✓
Monitor weights		
Up to 6kg per arm	✓	✓
Up to 12kg per arm	x	✓
>12kg Large screens	x	✓
Mounting options		
Split clamp	✓	✓
Grommet clamp	✓	✓
Wall mount - Vertical	x	✓
Wall mount - Horizontal	x	✓
Freestanding floor mount	x	✓
Floor to ceiling mount	x	✓
VESA hole patterns		
75 x 75	✓	✓
100 x 100	✓	✓
200 x 200	x	✓
300 x 300	x	✓
400 x 400	x	✓
600 x 400	x	✓
800 x 400	x	✓
Post options		
Cable clips/covers	✓	✓
Cables inside post	x	✓
Power incorporated	x	✓
Data incorporated	x	✓

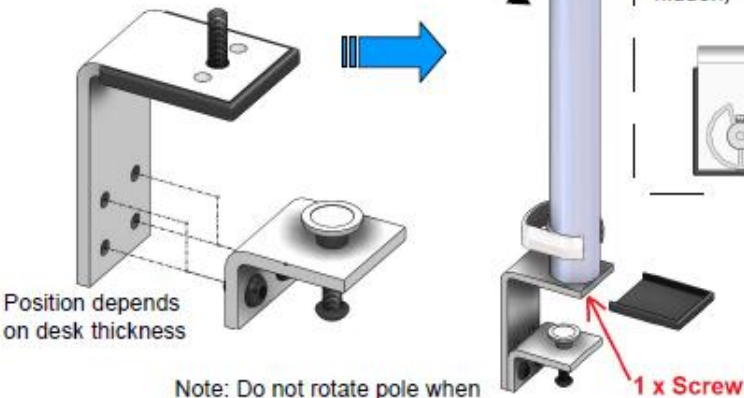
Ar-ray Assembly Instructions

Clamps

Around desk clamp

Groove in pole facing back of clamp

Groove at back. This orientation is important. (cap hidden)



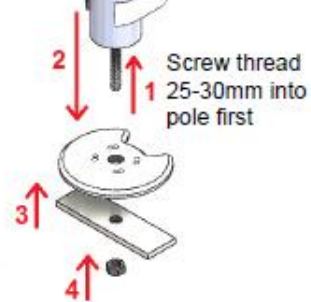
Through desk clamp

Above desk

Through desk (8.5mm-50mm hole)

Below desk

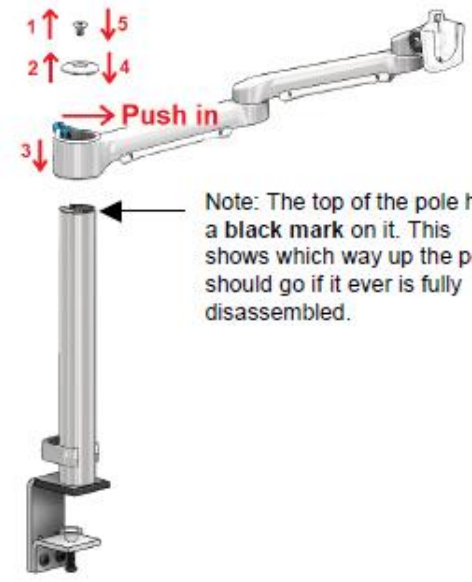
Pole groove should be at back of clamp



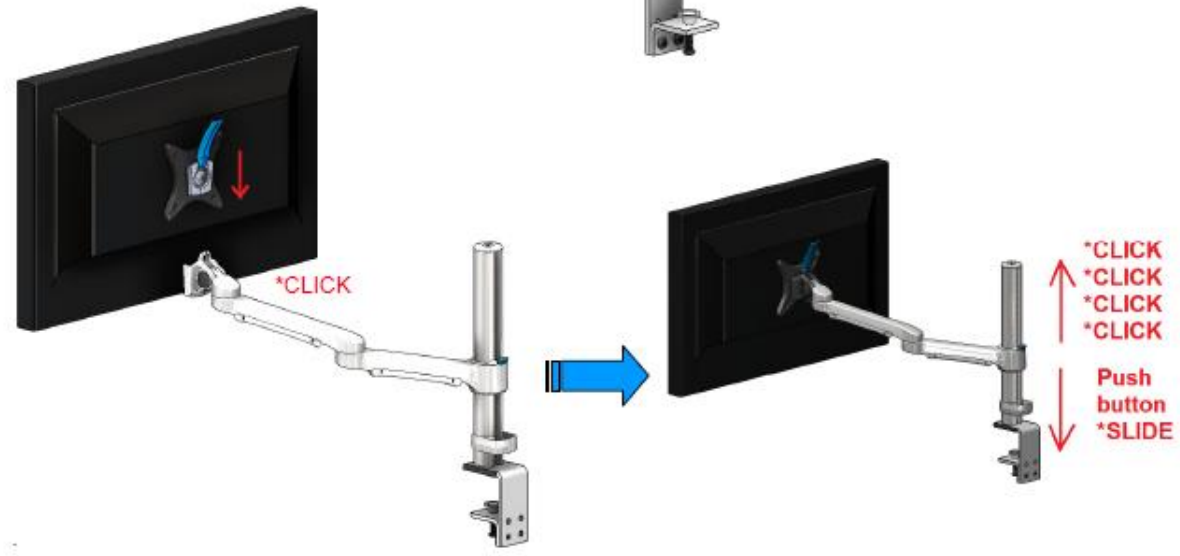
When installed the threaded rod should be touching the front edge of the hole

Single Arm

- AR-3.1A2D (Split Clamp)
- AR-3.1A2KG (Grommet Clamp)



Note: The top of the pole has a black mark on it. This shows which way up the pole should go if it ever is fully disassembled.

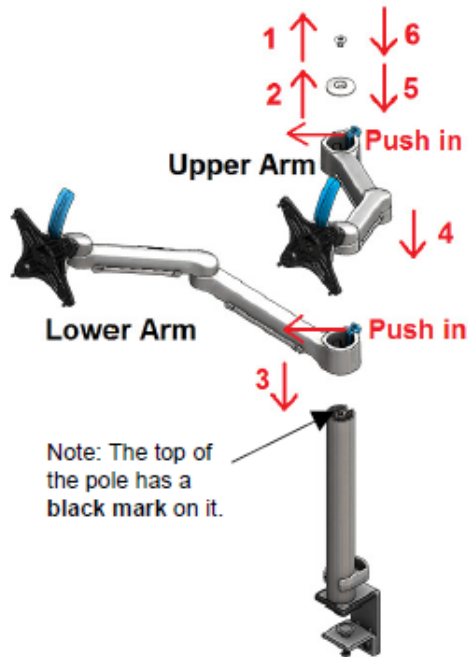
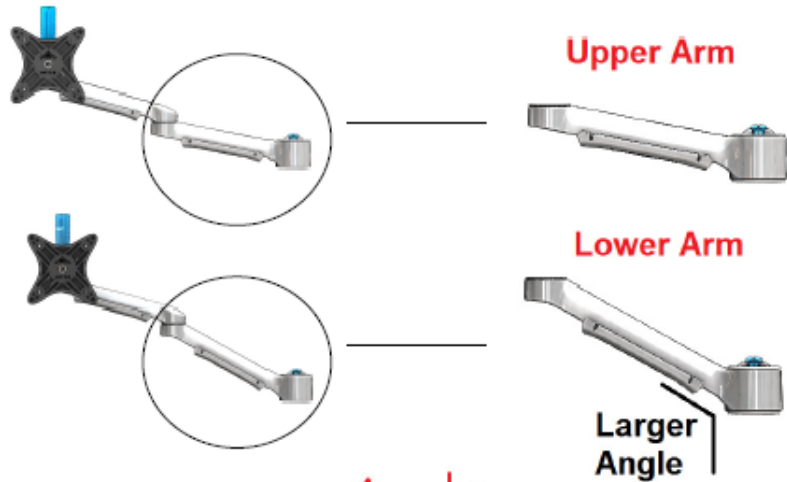


- 1,2: Remove screw and cap from pole
- 3: Attach arm to pole while pushing in arm lever
- 4,5: Reassemble cap and screw

Ar-ray Assembly Instructions

Double Arm

- AR-3.1A2B2D (Split clamp)
- AR-3.1A2B2KG (Grommet clamp)

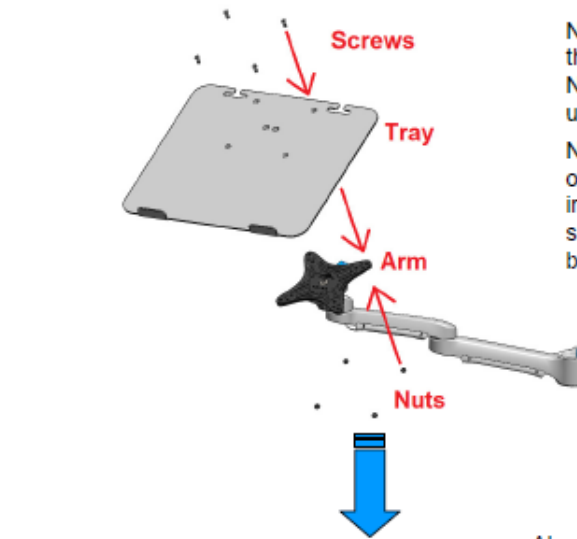


- 1,2: Remove top cap and screw first
- 3: Attach lower arm
- 4: Attach upper arm
- 5,6: Reattach top cap and screw

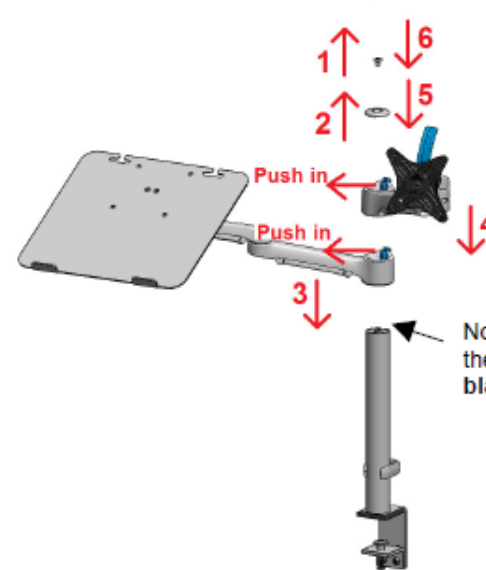
Refer to "Single Arm" for monitor attachment

Single Arm + Laptop arm and tray

- AR-3.1A2A2LD (Split clamp)
- AR-3.1A2A2LKG (Grommet clamp)



- Note 1: Screws to come through from laptop side. Nuts should be underneath.
- Note 2: Note orientation of the laptop tray in the image. The top holes should be close to the blue lever on the VESA.



- Above: Attach laptop to arm first
- 1,2: Remove top cap and screw
 - 3: Attach laptop arm
 - 4: Attach upper arm
 - 5,6: Reattach top cap and screw

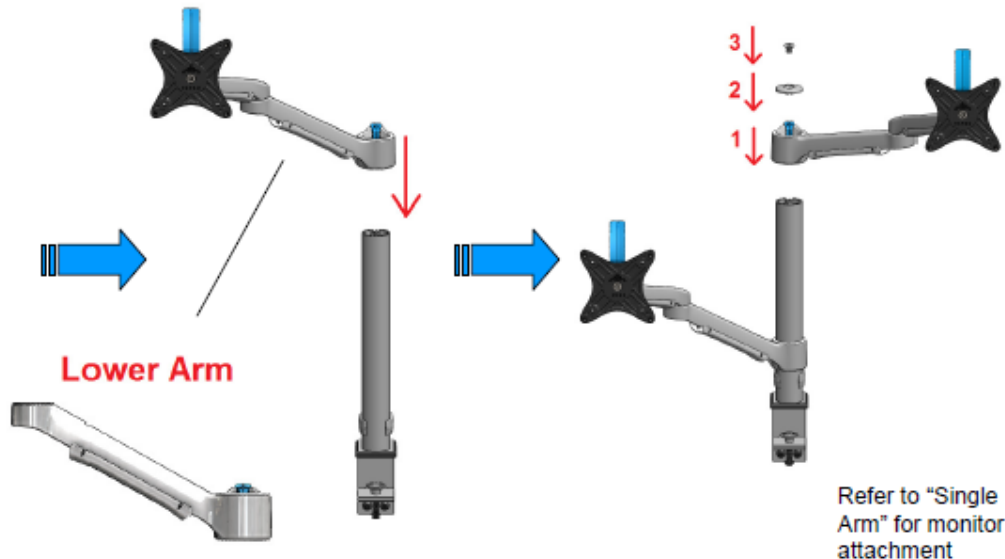
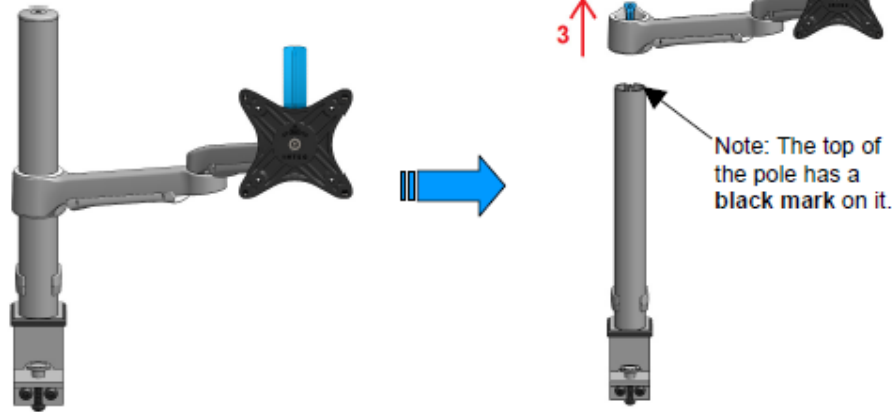
Note: The top of the pole has a black mark on it.

Refer to "Single Arm" for monitor attachment

Double Arm Retrofit

-RAYB2-SUR-20

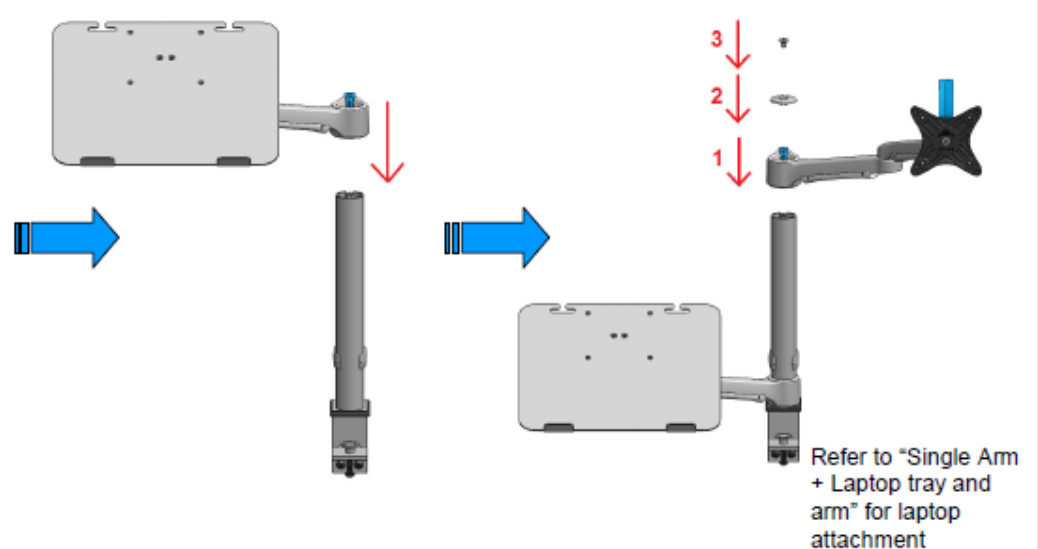
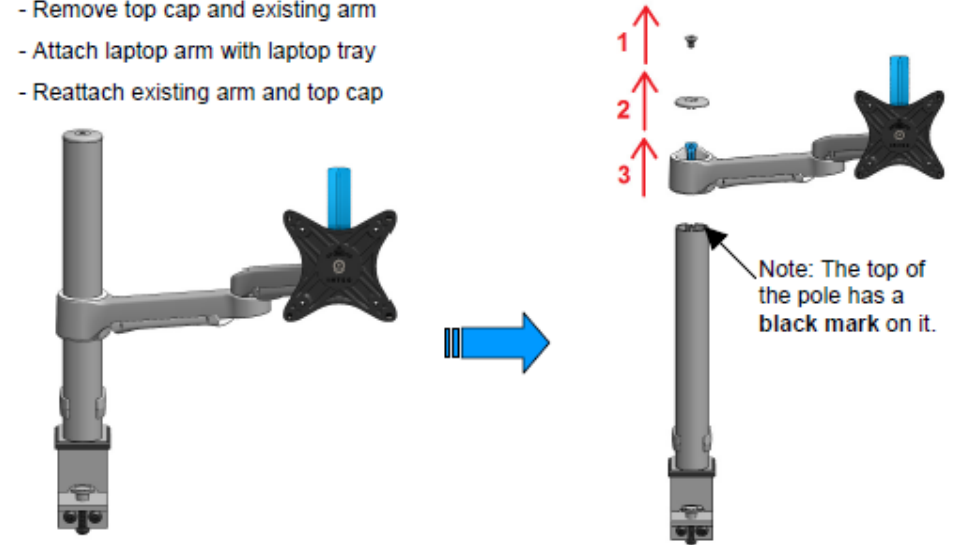
- Remove top cap and existing arm
- Attach new arm
- Reattach existing arm and top cap



Laptop Arm Retrofit

-PXTA2-SUR-20

- Remove top cap and existing arm
- Attach laptop arm with laptop tray
- Reattach existing arm and top cap





WORKSPACE PRODUCTIVITY TOOLS

Ar-ray Series

SINGLE MONITOR ARMS | DUAL MONITOR ARMS | SCREEN AND LAPTOP

www.integinternational.com



5 points to arm yourself with

[Back to contents](#)

1 SUPERIOR USER ERGONOMICS & WELL-BEING

With a well designed monitor arm you can dramatically increase work surface area enhancing user flexibility & comfort. Just have a look at the superior “ergonomic reach zone” with a monitor arm.

2 REDUCED FOOTPRINT = MAXIMISED OFFICE SPACE

With an efficient workspace, you can enhance user productivity & well-being while decreasing the traditional workspace footprint. Go a step further and adopt sit-to-stand workspaces or hot desking.

3 REDUCED COSTS & GREATER RETURN

The result of increased productivity, space saving, better user well-being with a modular product configuration means a greater return on your investment.

4 PRODUCTIVITY GAINS

Even with a single monitor arm, users ability to multi task are enhanced with increased useable workspace & greater multi-monitor capacity. With the addition of a second screen or using your laptop as a second screen you can further increase productivity by a reported 44%.

5 MODULAR CONFIGURATION

A product that is modular in design can adapt to users changing needs, both behavioural and technology, allowing users to deal with sit-to-stand configurations, multi-user requirements, dual screen & laptop use and bifocal requirements. All achieved while re-using key components.

BENEFITS OF AR-RAY

Increase productivity

"5 days work in 4 days or less"

Work ergonomically

"Be healthy - work safer"

Save valuable space

"Free up valuable desk real estate"

Work mobile

"Use mobile devices ergonomically"



DUAL SCREEN MONITOR ARM

Increased productivity, space savings and ergonomics



SCREEN AND LAPTOP

Mobility, productivity, ergonomics and space saving

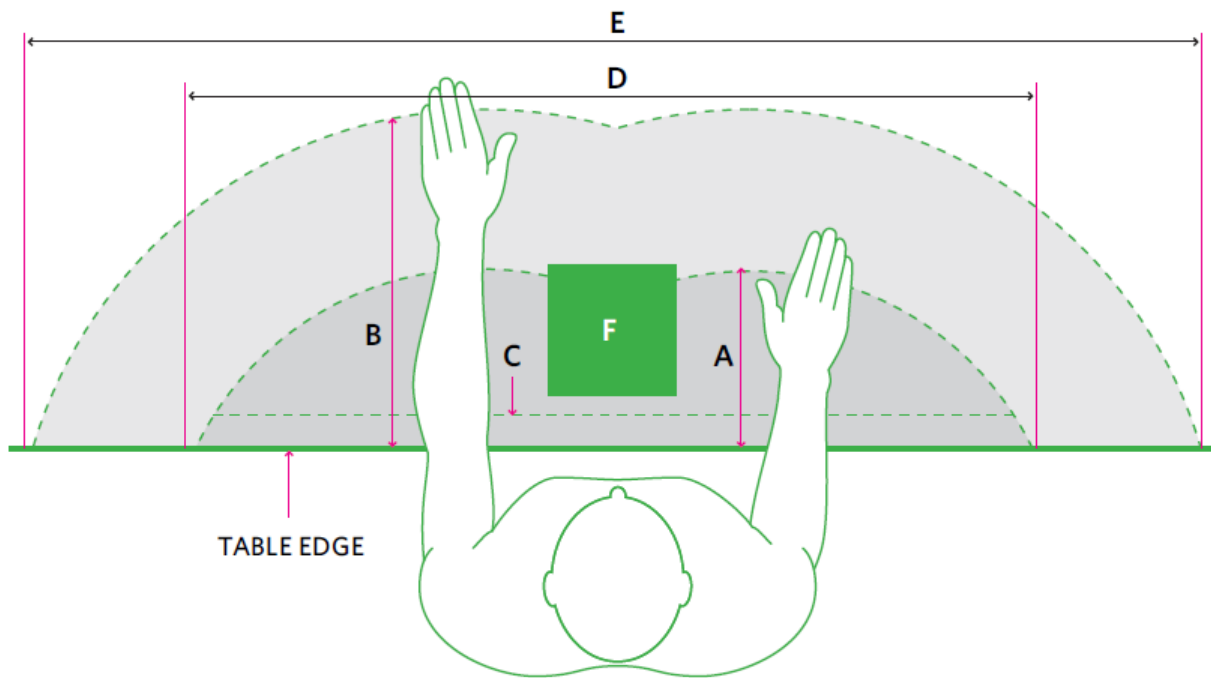


DUAL SCREEN MONITOR ARM

Reduced footprint = maximised office space

Horizontal Reach Zone

Use this handy guide to help plan horizontal space and Reach Zones in an individual's workspace. For more guidelines on screen placement please go to <http://integinternational.com/computer-guidelines/screen-placement/>



REACH ZONES

- A Normal Reach:** Distance from table edge to hand grasping point with back straight and upper arm near vertical.
- B Extended Reach:** Distance from table edge to hand grasping point with back straight and arm fully extended.
- C Work Distance:** Distance from the table edge to the distance where work is performed most comfortably by the worker.
- D Normal Reach Width:** Width of the normal reach area at table edge.
- E Extended Reach Width:** Width of extended reach area at table edge.
- F Optimum work area:** Area within the reach envelope best suited for comfortable work. The optimum work area begins at the work distance or point C.

Questions

- > What are your current & future IT requirements?
- > What are the requirements for laptops with secondary monitors? Or perhaps iPad's?
- > How many monitors are you looking to mount? Now and in the future?
- > Are you aware how much dual monitors can increase productivity?
- > What is the weight of the monitors? Old vs. new monitors?
- > How will you deal with cable management?
- > Does poor cable management frustrate you?

AND REMEMBER...

- > Installers frequently charge more for installing monitors arms with complex cable management or that require adjustment. This is a cost that you may face unless you provide them with a solution that avoids these issues.
- > Check the VESA fitting on any new monitors. VESA (Video Electronics Standards Association) is the international standard for mount monitors. 95% of monitors have a VESA adaptor plate, however, it pays to check as some monitor manufacturers are non-compliant to VESA.



Blended in NZ

Collaboration is often the key to creating greatness, and Integ products are no different. Our design partners at Blender Design are indispensable, working with us to design and create fantastic products that make people's lives easier. Their user-centric designs and inventive ideas showcase the best of kiwi innovation and add considerable value to the Integ range.

www.blender.net.nz

OLLIE MCDERMOTT

Director - Blender

BEN THOMSON

Director - Blender



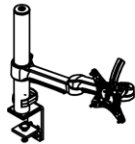
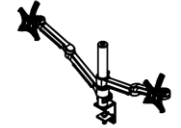
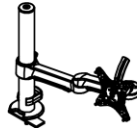
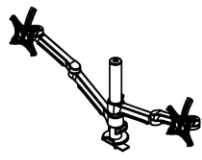
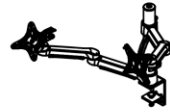
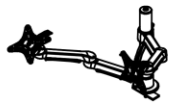
WORKSPACE PRODUCTIVITY TOOLS

MODTEC GROUP LTD

18-20 Curley Ave Silverdale 0932, P.O.Box 14, Silverdale 0944, Auckland, New Zealand

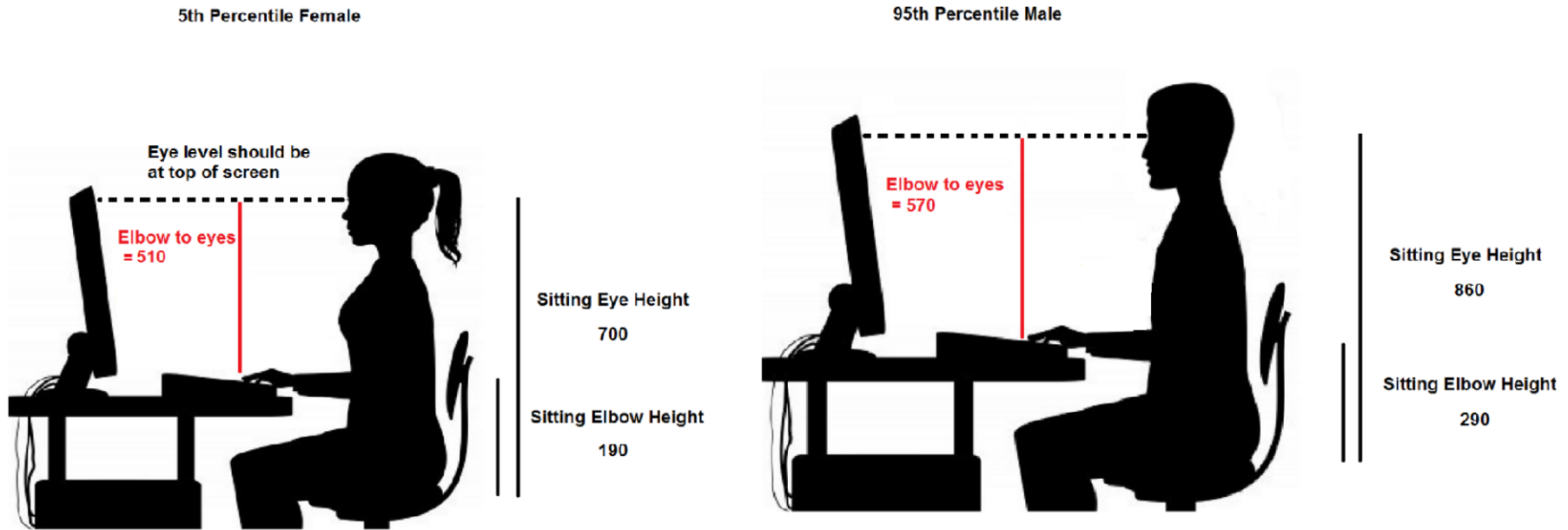
Phone **NZ:** +64 9 426 6380 | Phone **AU:** 1 800 681 327 (Toll free) | Fax: +64 9 426 9449

 www.integinternational.com  twitter.com/integit  facebook.com/integ.tools

	AR-3.1A2D	AR-3.1A2B2D	AR-3.1A2KG	AR-3.1A2B2KG	AR-3.1A2A2LD	AR-3.1A2A2LKG
						
Single 2-Limb Arm	X		X		X	X
Dual 2-Limb Arms		X		X		
Laptop 2-Limb Arm					X	X
Split Clamp	X	X			X	
Grommet Clamp			X	X		X
310mm Ar-ray Pole	X	X	X	X	X	X
Height Adjustment from pole	265mm (10.5in)	210mm (8.3in)	265mm (10.5in)	210mm (8.3in)	210mm (8.3in)	210mm (8.3in)
Maximum Screen Weight per Arm	6kg (13.2lbs)	6kg (13.2lbs)	6kg (13.2lbs)	6kg (13.2lbs)	6kg (13.2lbs)	6kg (13.2lbs)
Minimum monitor height (measured to the centre of the screen)	163mm (6.4in)	218mm (8.6in)	163mm (6.4in)	218mm (8.6in)	352mm (13.9in)	352mm (13.9in)
Knuckle Rotation	360°*	360°*	360°*	360°*	360°*	360°*
Arm Rotation Around Pole	360°*	360°*	360°*	360°*	360°*	360°*
VESA rotation (Portrait and Landscape)	180°	180°	180°	180°	180°	180°
Knuckle Tilt Forwards**	45°	45°	45°	45°	45°	45°
Knuckle Tilt Backwards**	60°	60°	60°	60°	60°	60°

* Does not include possible interference with other parts of the assembly
 ** 0° = vertical. Forward tilt is when the top of the monitor is moved towards the user, backwards tilt is when the top of the monitor is moved away from the user.

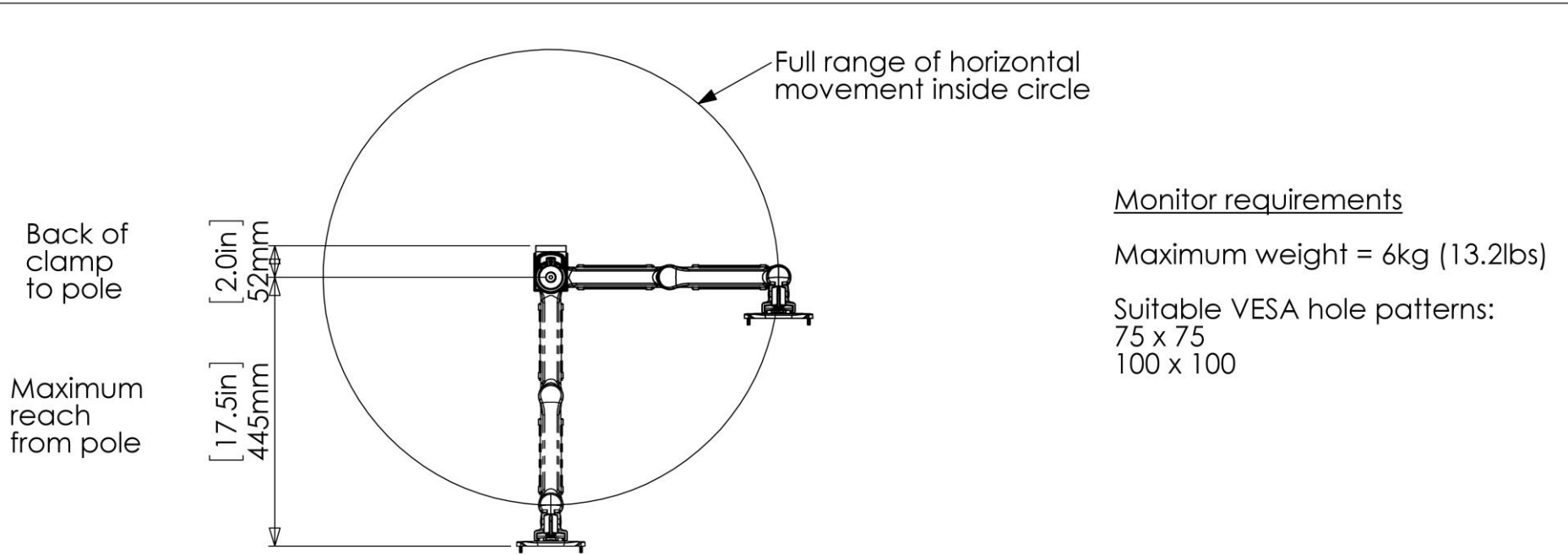
Source for human size information:
www.roymeck.co.uk/Useful_Tables/Human/Human_sizes.html



Assuming the chair can be adjusted in height to make the users elbows at the correct height on the desk, then the monitor adjustment range required is 60mm (The difference between the "Elbow to eyes" measurements).

Minimum screen height to top of monitor = 510mm

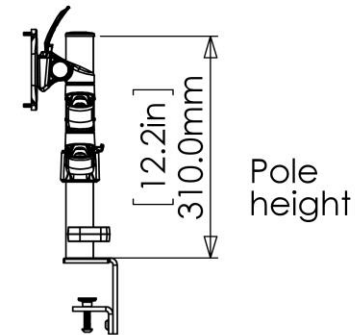
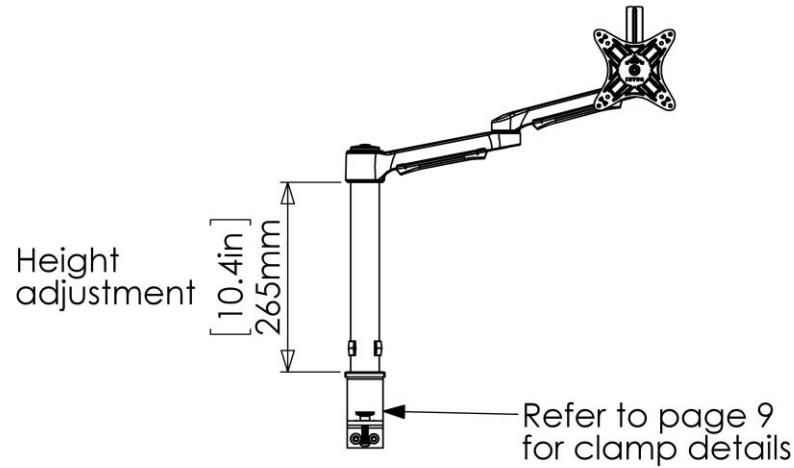
Maximum screen height to top of monitor = 570mm



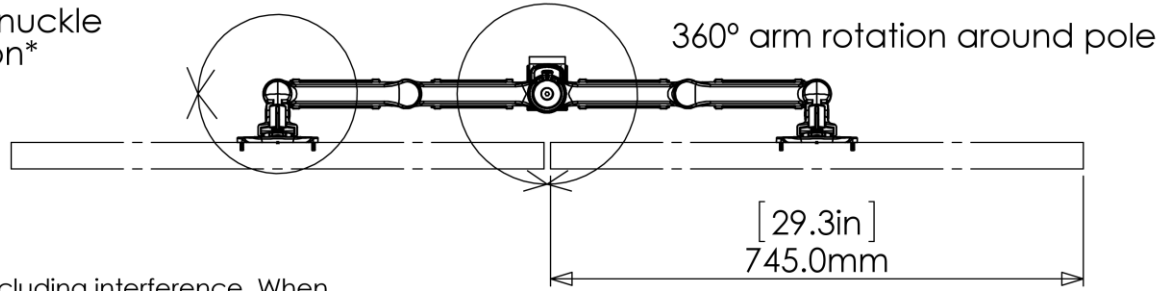
Monitor requirements

Maximum weight = 6kg (13.2lbs)

Suitable VESA hole patterns:
75 x 75
100 x 100

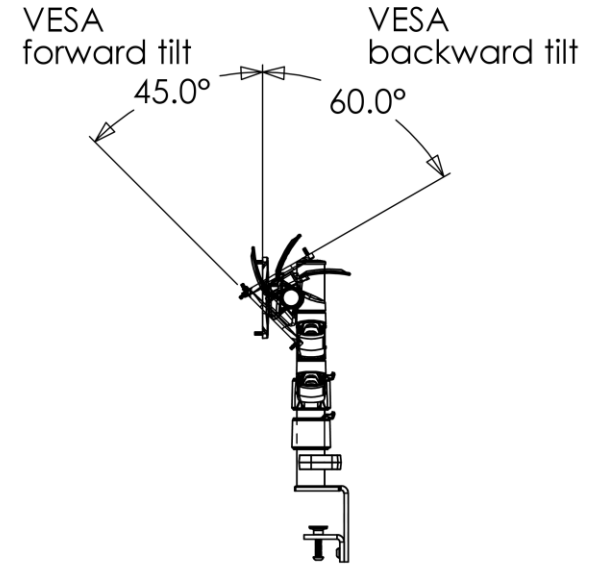
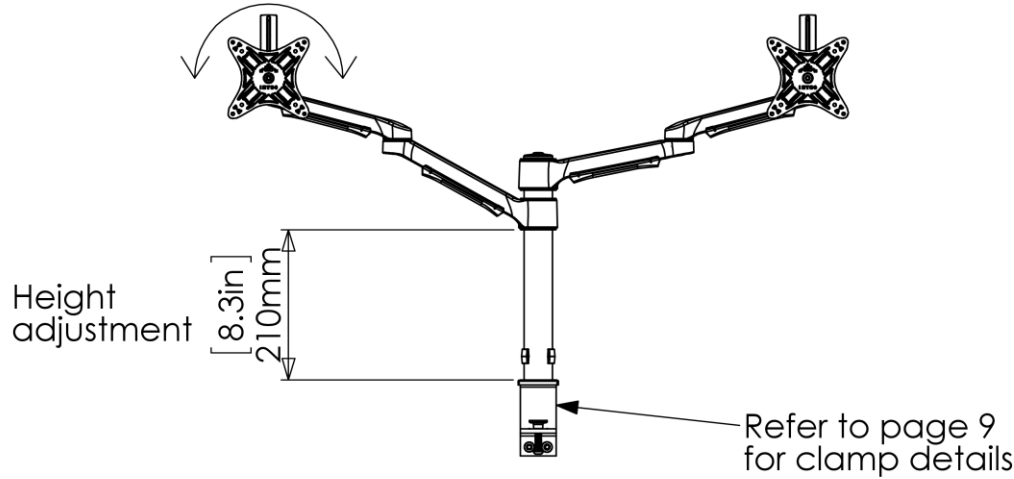


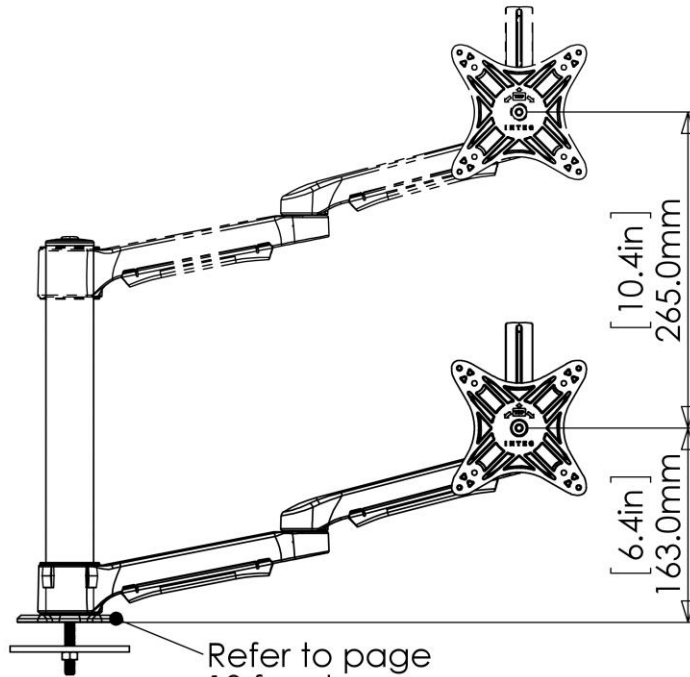
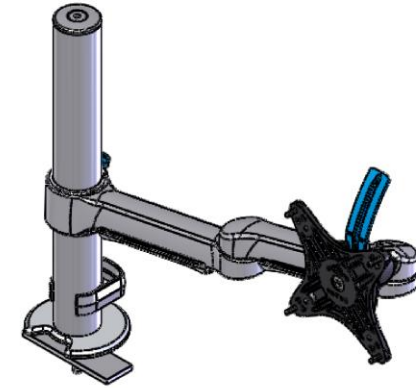
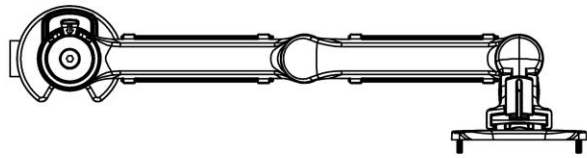
360° Knuckle rotation*



* Not including interference. When rotating, the monitor can interfere with the limbs on the arm.

180° VESA rotation
(+90° and -90°)

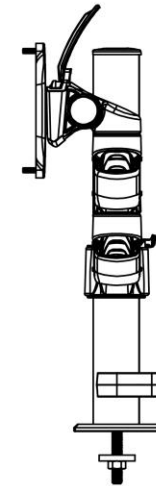


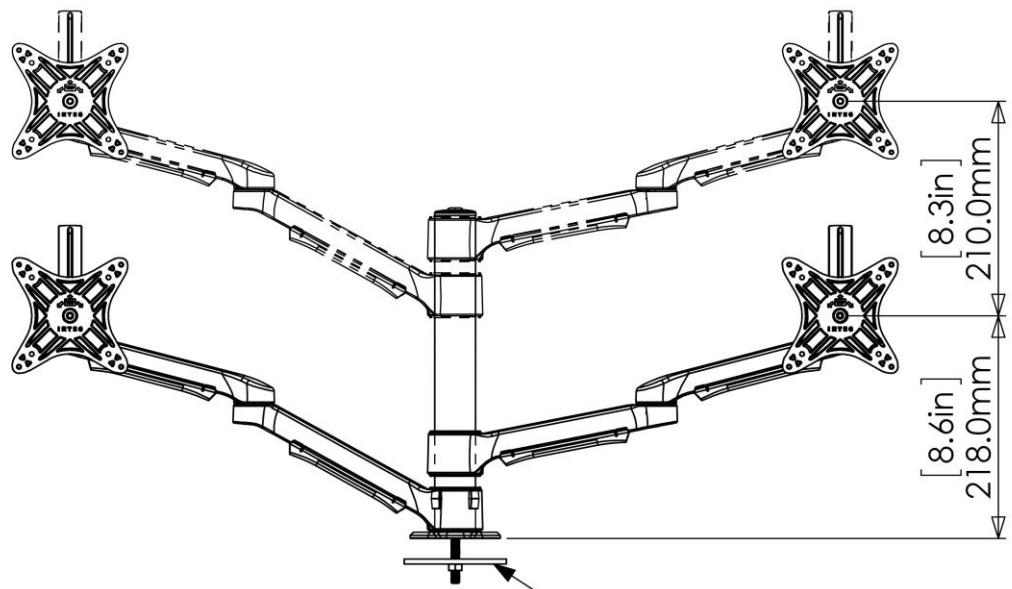
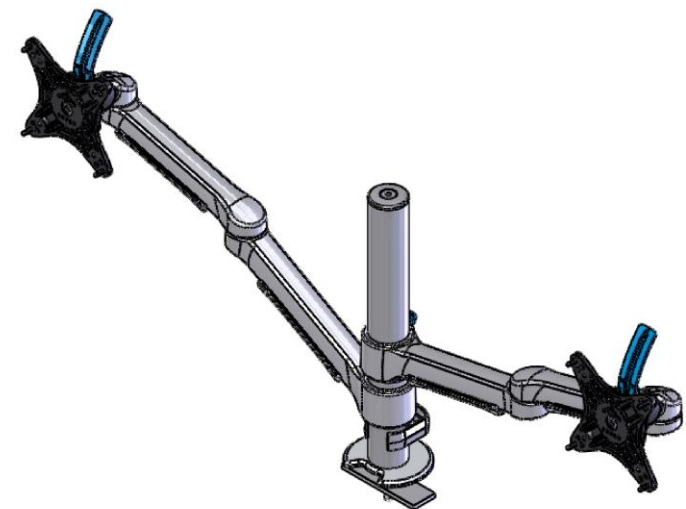
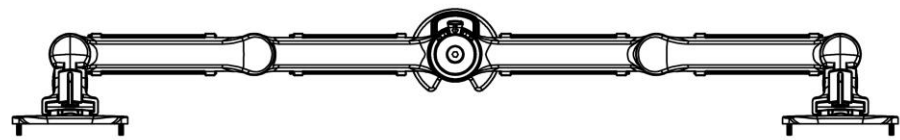


Height adjustment

Minimum monitor height from desk (measured to centre of screen)

Refer to page 10 for clamp details

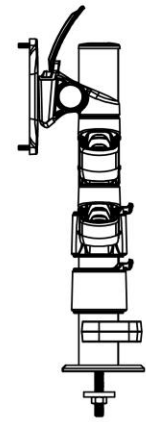




Height adjustment

Minimum monitor height from desk (measured to centre of screen)

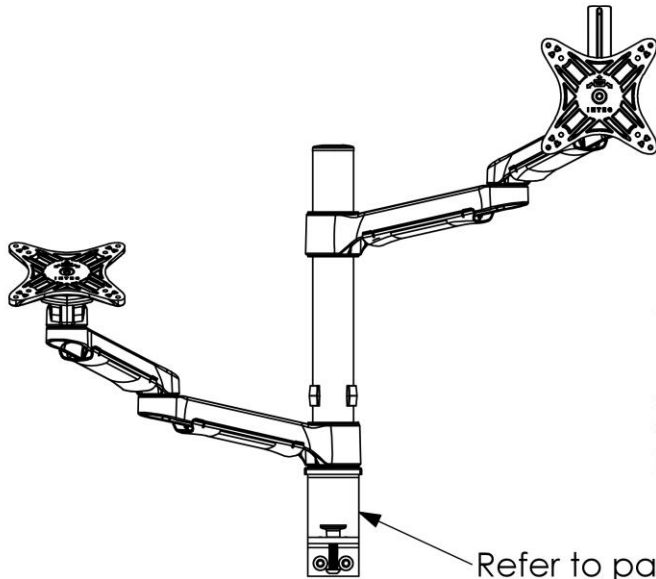
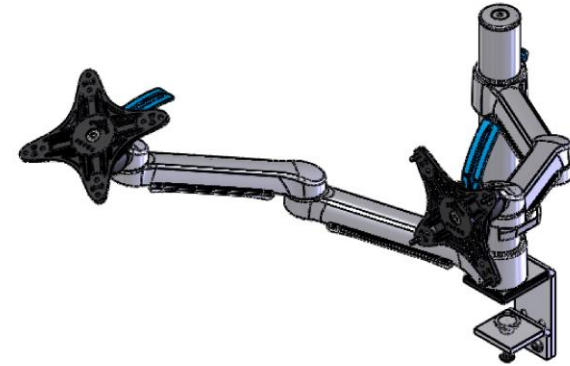
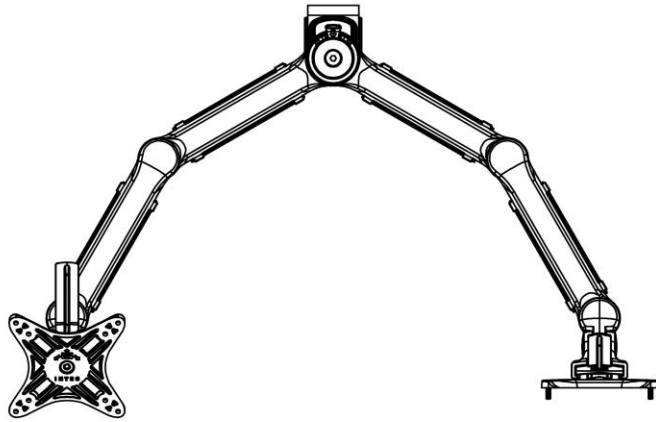
Refer to page 10 for clamp details



Ar-ray Specifications

AR-3.1A2B2KG

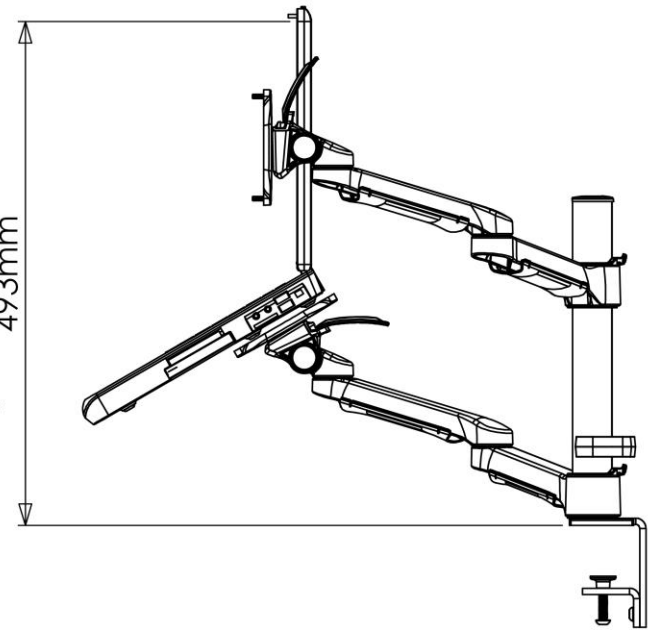


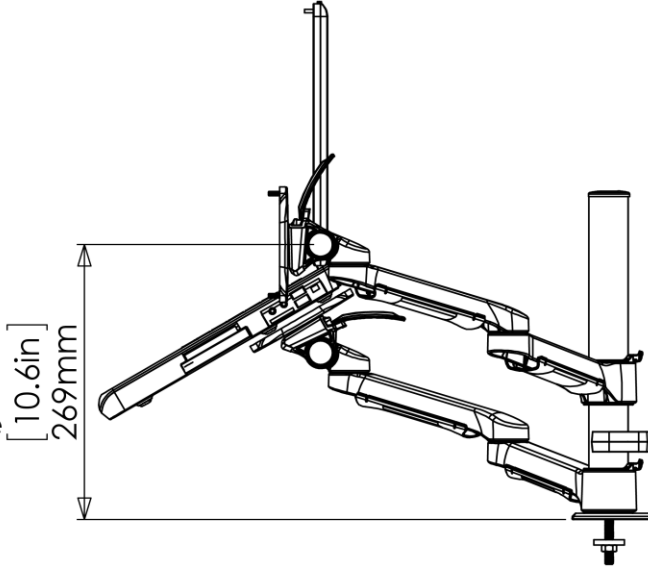
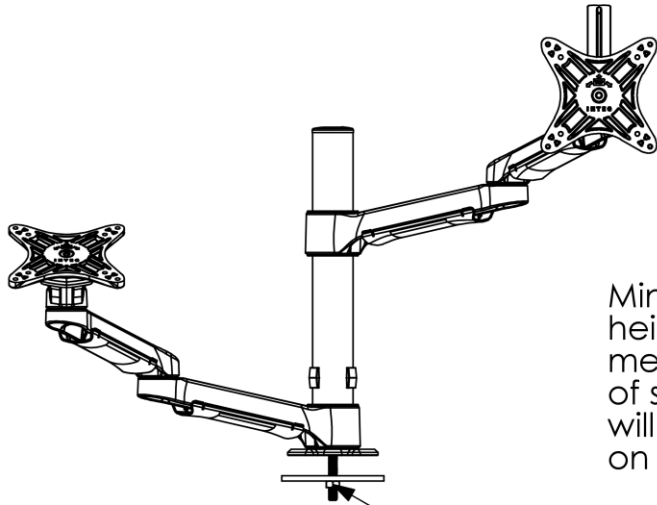
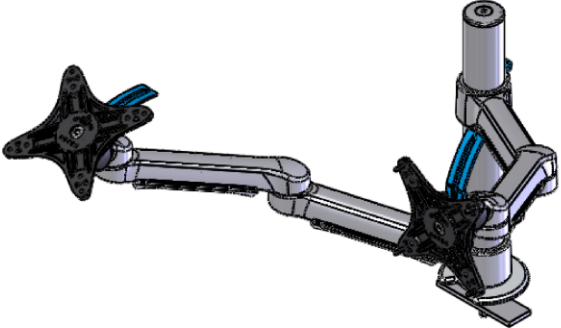
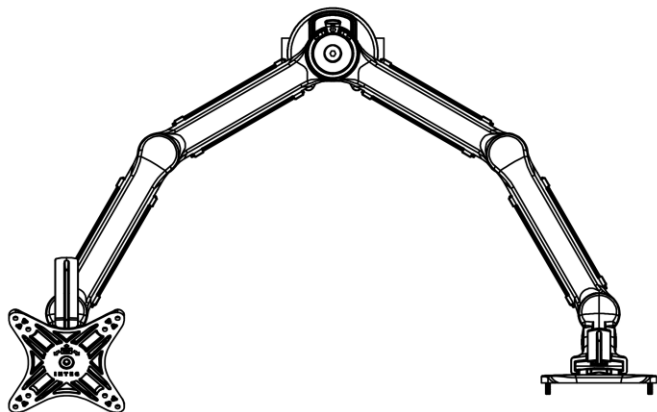


[19.4in]
493mm

Minimum laptop height from desk measured to top of screen (height will vary depending on laptop size)

Refer to page 9 for clamp details





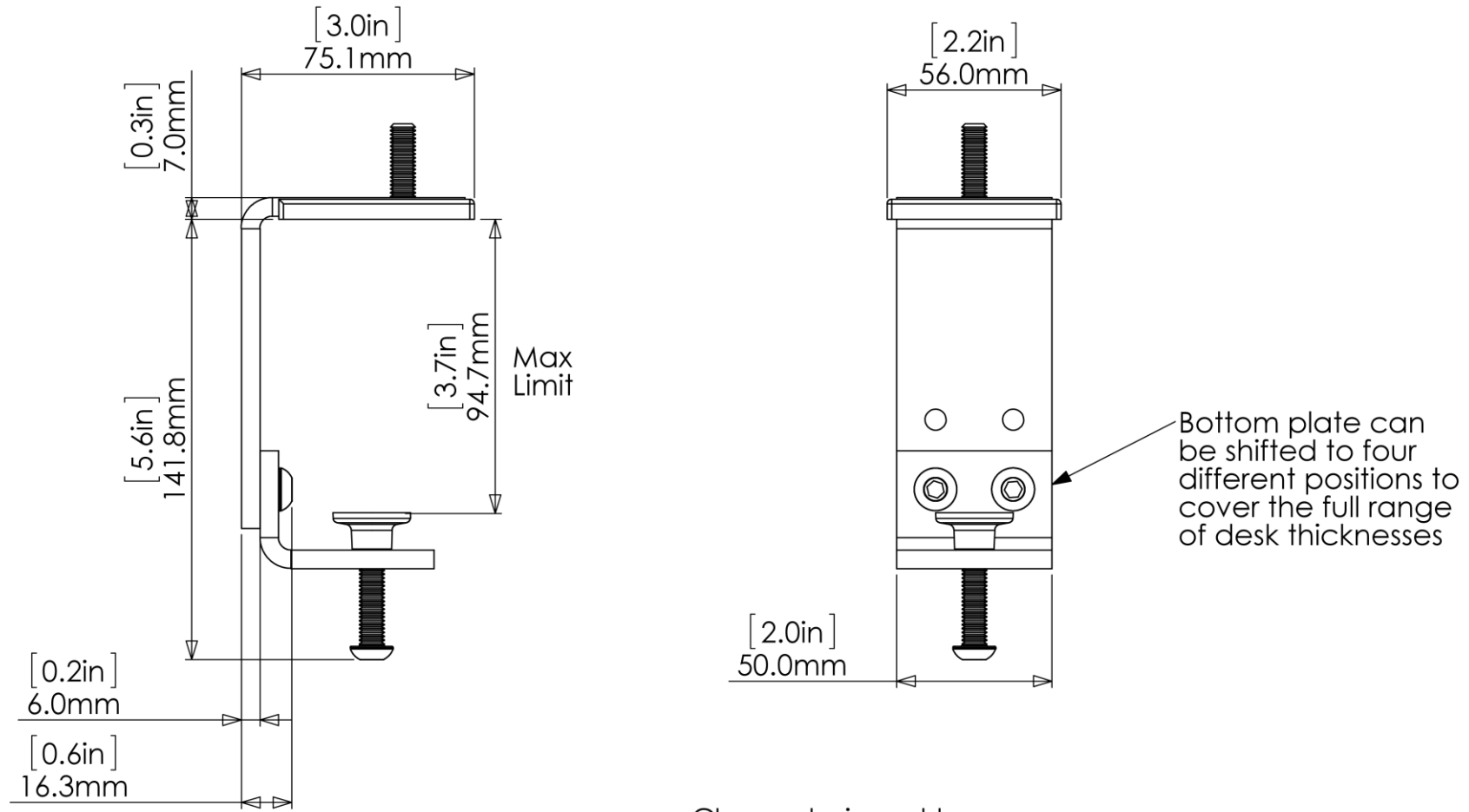
Minimum laptop height from desk measured to centre of screen (Height will vary depending on laptop size)

Refer to page 10 for clamp details

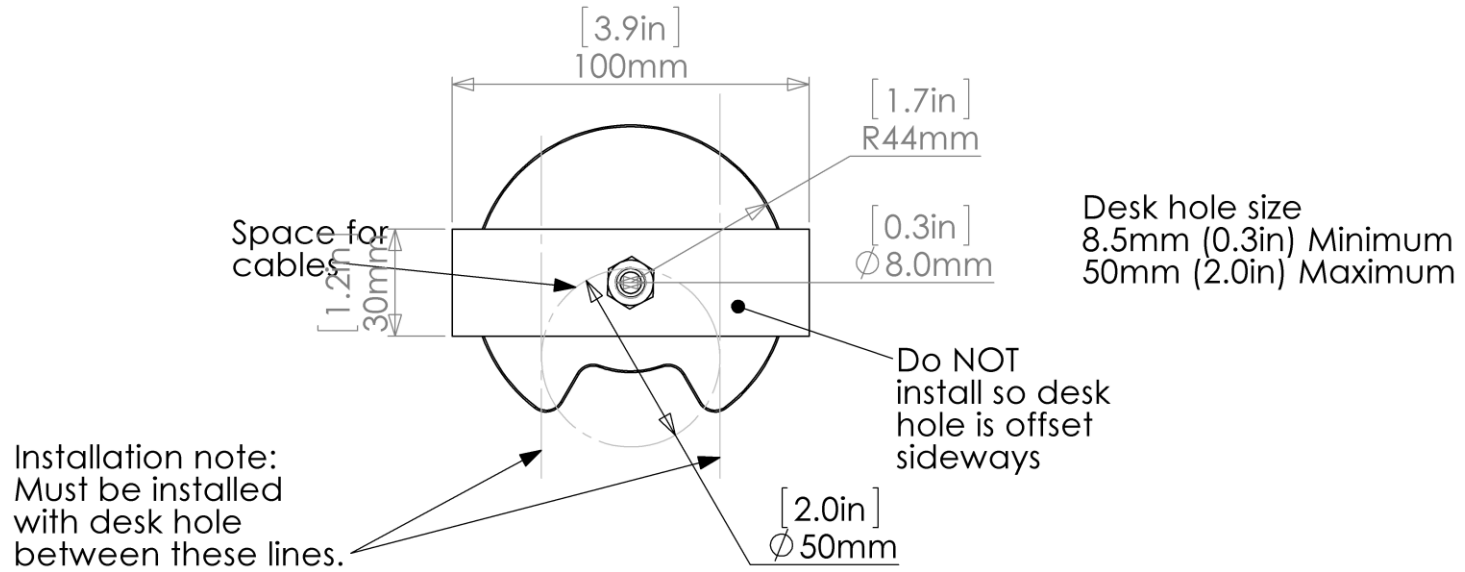
Ar-ray Specifications

AR-3.1A2A2LKG

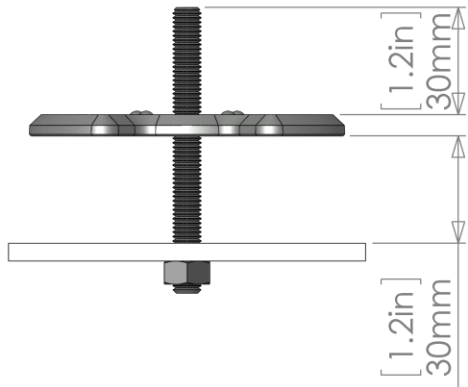




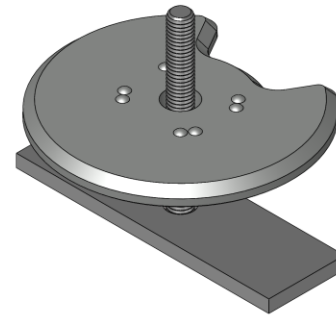
Clamp designed to go around the edge of desks



Note: The cable cutout on the clamp should be facing the back of the desk. The full round of the clamp should be facing the user.



Max desk thickness = 30mm (1.2in)



Clamp designed to go through a hole in the desk

Helpful Links

[Back to contents](#)

- Website: www.integinternational.com
- Warranty: www.integinternational.com/warranty
- Facebook: <https://www.facebook.com/IntegIt>
- Twitter: <https://twitter.com/integit>
- Google+: <https://plus.google.com/+Integinternational>